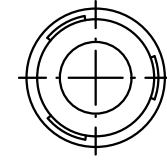
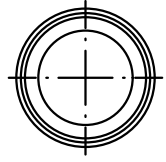
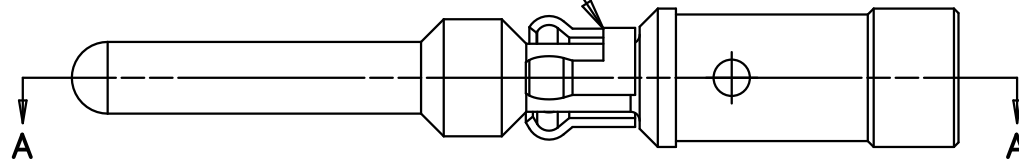


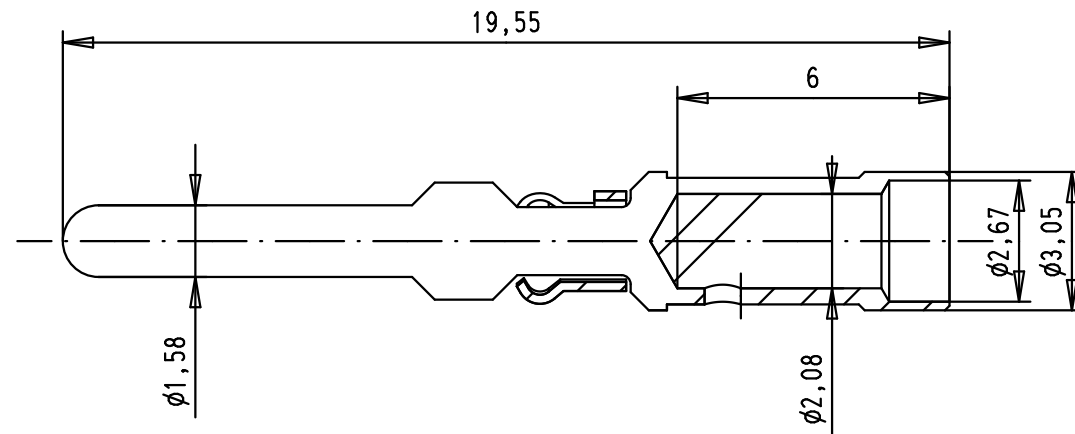
Alle Rechte vorbehalten/ All rights reserved



Retention clip



SECTION A-A:



STRIPPING LENGTH: 5mm

MATERIAL:

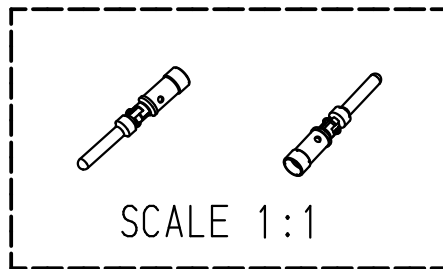
contact: brass

retention clip: stainless steel

PLATING:

contact: Au/Ni

retention clip: raw material



All dimensions are before plating

				Det.	Name		MALE POWER CONTACT CRIMP AWG 16-14	Moßstab/ Scale 6:1
			Detail.	22/08/08	AB			
			Insp.	10/05/11	JMV	All Dim. in mm Orig. Size DIN A 3	TB 09 46 500 0401	Blatt/ Page 1/1
			Stand.					
36242	10/05/11	AB	HARTING EURL F-95972 Paris				Sub.	
EC01270	28/01/10	AB	Mod.	Det.	Name			
35287	22/08/08	AB						