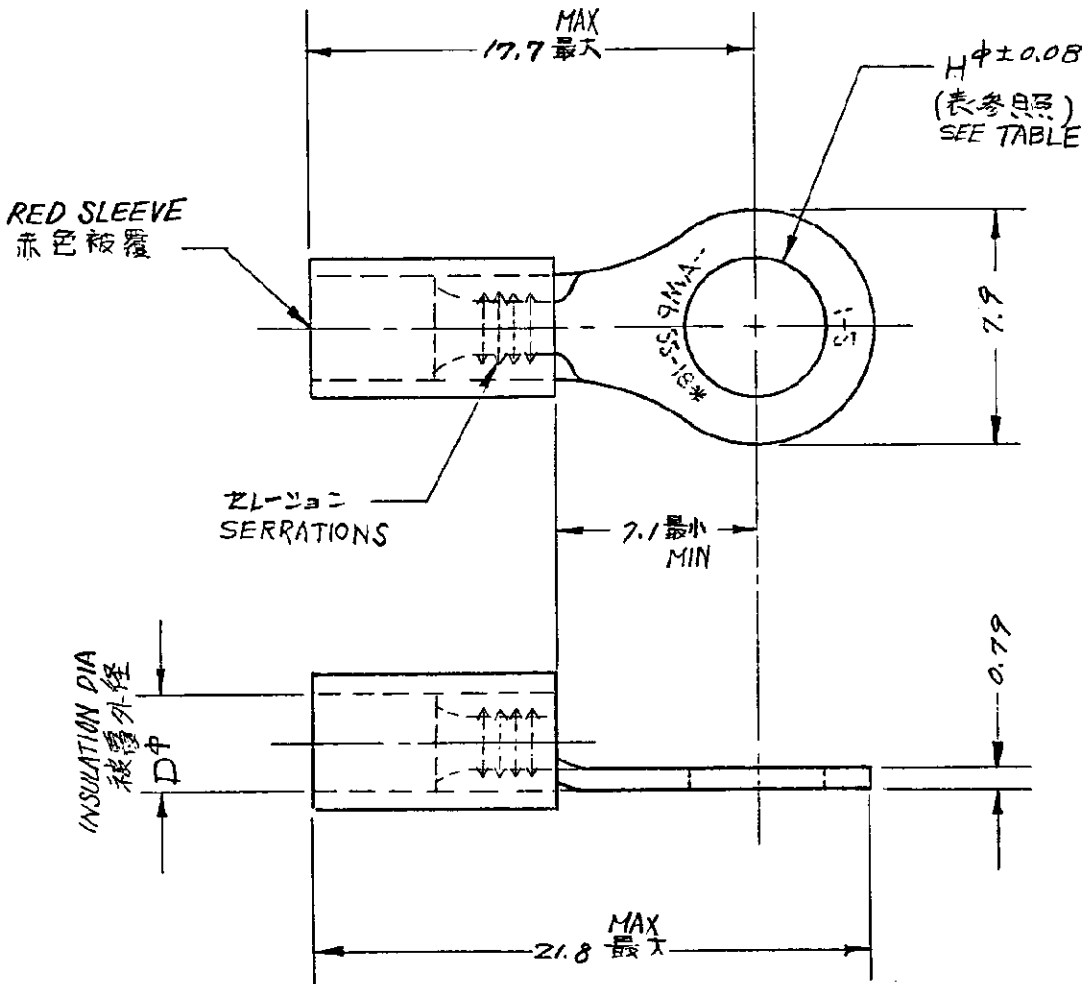


C-171509

1 OBSOLETE PARTS: OBSOLETE CIS STREAMLINING PER D.RENAUD/D.SINISI



P/N	STUD	H中	INSULATION DIA. 被覆外径 D中	P/N	STUD	H中	INSULATION DIA. 被覆外径 D中
171509-1	#6	3.68	2.03 ~ 3.05	171509-6	#10	5	2.66 ~ 3.56
-2	#8	4.34	2.03 ~ 3.05	-7	5mm	5.26	2.03 ~ 3.05
-3	#10	5	2.03 ~ 3.05	-8	5mm	5.26	2.66 ~ 3.56
-4	#6	3.68	2.66 ~ 3.56	171509-9	SPEC.	5.79	2.03 ~ 3.05
171509-5	#8	4.34	2.66 ~ 3.56				

C2	REV PER ECO-10-000444	KK	AEG	08JAN 10
C1	REVISED ECR-05-006866	Y.Y	D.M	15JUL '05
C	-3 OBSOLETE (FJ00-1754-9)	Y.I.S.M		12/19/94
B	ADDED MARK	H.S	H.U	8/1/72
A	REVISED (P-DWG. REV. A)	H.S	H.U	7/1/75
0	RELEASED (P-DWG. REV. C)	S.P	J.C	3/21/72
LTR.	変更 (REVISION RECORD)	DR.	CHK.	DATE
DR.	S. Yokawa 2/15/75	DES.	T. Suzuki 7/3/75	
CHK.	S. Yokawa 2/15/75	APP.	J. Orita 7/6/75	

参考図面 (CUSTOMER COPY) (REFERENCE ONLY)

MATERIAL: COPPER 銅 与 銅  
FINISH: ANNEAL TIN PL 焼在 1 鋳 223  
WIRE RANGE: # 0.26 ~ 1.04 mm (AWG 22-12)  
INSULATION DIA: 表参照 SEE TABLE

tyco Electronics  
Tyco Electronics AMP K.K. Kawasaki, Japan

CLASS: PLASTI-GRIP  
TYPE: プラスチック (P) ッフ

SCALE: 4:1

LOC: JA SIZE: C2 NO: 171509 REV: C2

名称: 丸型端子 WIRE TERMINAL ASSEMBLY

単位: 軸 DIMENSIONS IN MM DO NOT SCALE PRINT