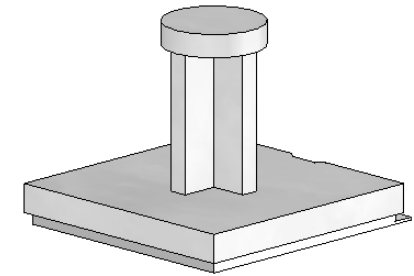
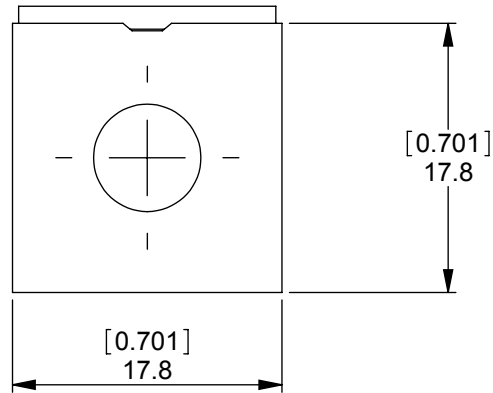
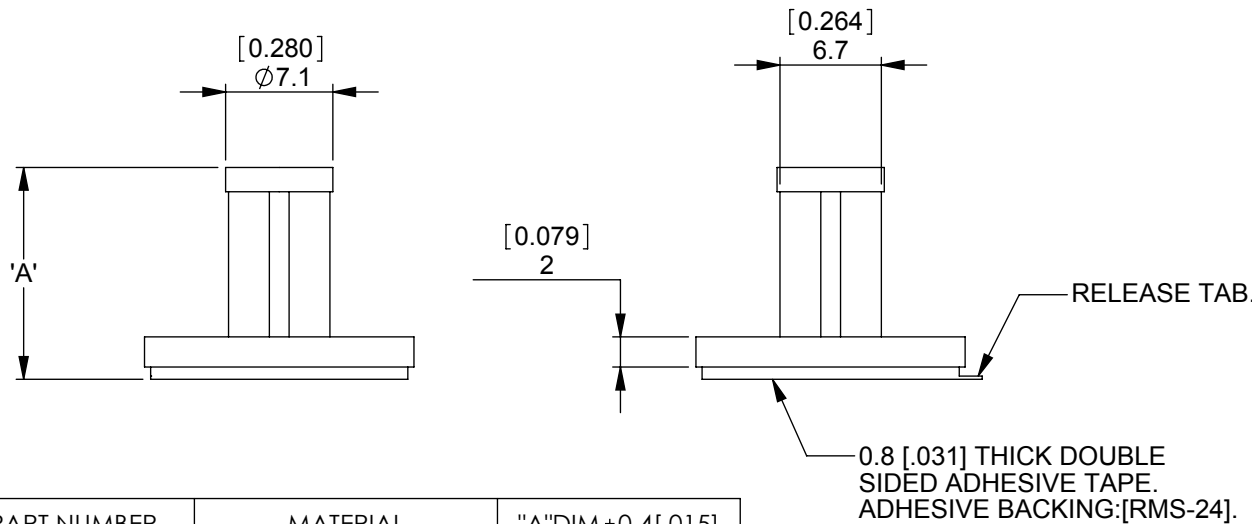


REV.	MODIFICATION.	DATE	DRN
01	PRODUCTION RELEASE	28/09/07	SF
02	CO2010267	07/07/08	SF



NOTES

- 1a) METRIC PRIMARY UNITS:mm
- 1b) IMPERIAL SECONDARY UNITS: [inches]
- 2) THE COLOUR OF THE ADHESIVE LINER MAY VARY. THIS WILL NOT AFFECT THE TECHNICAL PROPERTIES OF THE PART.

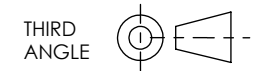


PART NUMBER	MATERIAL	"A" DIM ±0.4 [0.015]
PSB-6M-01A2-RT	NYLON 6/6 (RMS-01)	6[.236]
PSB-6M-19A2-RT	NYLON 6/6 FR (RMS-19)	6[.236]
PSB-8M-01A2-RT	NYLON 6/6 (RMS-01)	8[.314]
PSB-8M-19A2-RT	NYLON 6/6 FR (RMS-19)	8[.314]
PSB-10M-01A2-RT	NYLON 6/6 (RMS-01)	10[.393]
PSB-10M-19A2-RT	NYLON 6/6 FR (RMS-19)	10[.393]
PSB-12M-01A2-RT	NYLON 6/6 (RMS-01)	12[.472]
PSB-12M-19A2-RT	NYLON 6/6 FR (RMS-19)	12[.472]
PSB-14M-01A2-RT	NYLON 6/6 (RMS-01)	14[.551]
PSB-14M-19A2-RT	NYLON 6/6 FR (RMS-19)	14[.551]
PSB-16M-01A2-RT	NYLON 6/6 (RMS-01)	16[.629]
PSB-16M-19A2-RT	NYLON 6/6 FR (RMS-19)	16[.629]

INFORMATION CONTAINED IN THIS DOCUMENT IS CONFIDENTIAL TO RICHCO INTERNATIONAL Co. Ltd. AND MAY NOT BE DISCLOSED OR REPRODUCED IN WHOLE OR PART WITHOUT THEIR WRITTEN CONSENT.



GENERAL TOLERANCES ±0.25 [0.010]
UNLESS OTHERWISE STATED
1 DECIMAL PLACE ±
2 DECIMAL PLACES ±
ANGULAR ±1°



MATERIAL: SEE NOTE 2		COLOUR: NATURAL	
DESCRIPTION: SPACER SUPPORT ON ADHESIVE BASE		PART No: SEE TABLE	
DRG No: 07-022	NPR No: 2007-031	SHEET SIZE A4	
DRN NJB	DATE 08/03/07	CHKD TC	DATE 08/03/07
SCALE NTS	SHEET No. 1 OF 1		