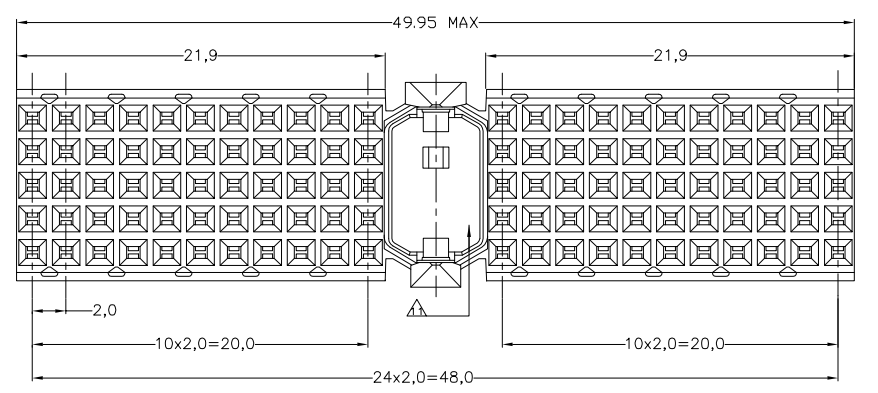
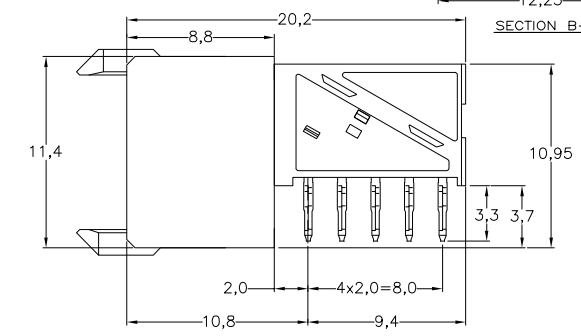
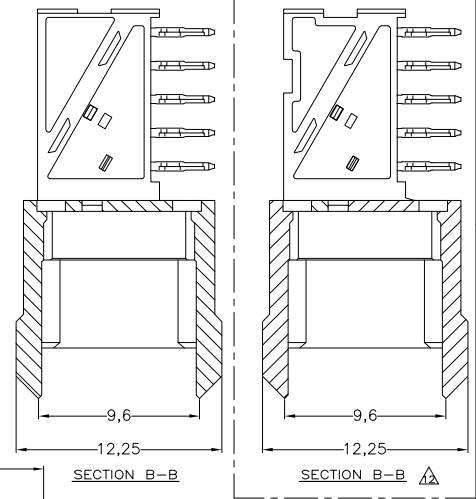
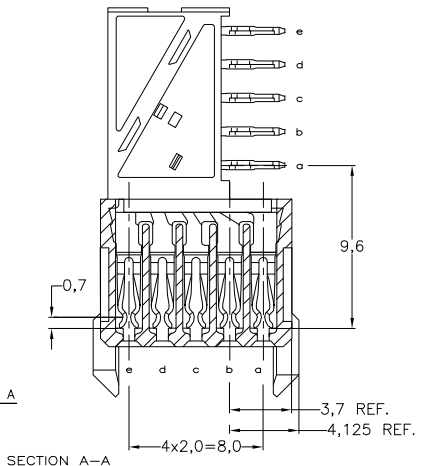
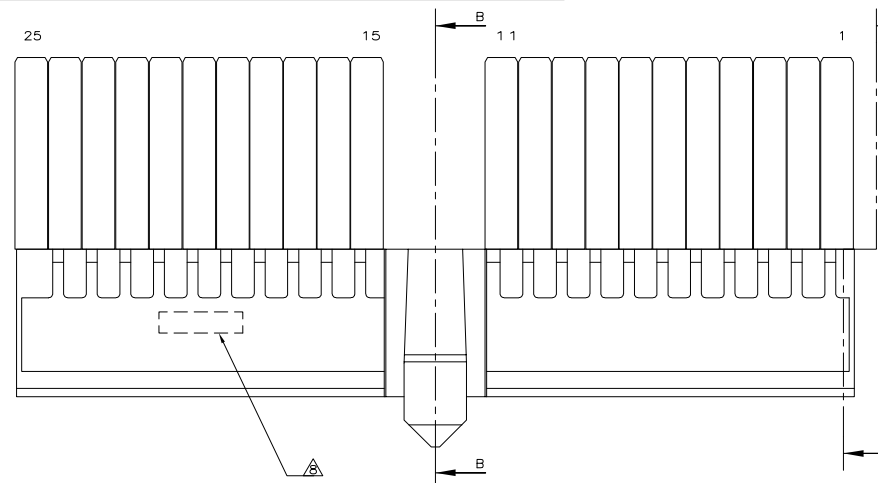
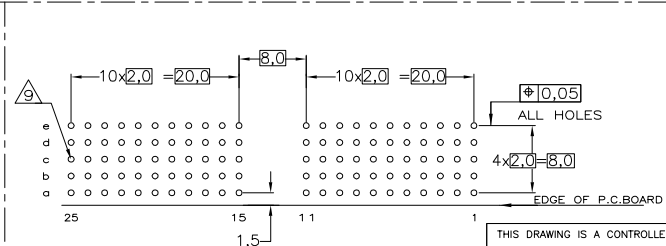


THIS DRAWING IS UNPUBLISHED.  
 RELEASED FOR PUBLICATION  
 © COPYRIGHT - By - ALL RIGHTS RESERVED.

LOC		DISP		REVISIONS			
P	LTR	DESCRIPTION	DATE	DN	APVD		
A		INITIAL RELEASE	14AUG2012	SY	AC		



- NOTES:**
- △ MATERIAL CONTACT; PHOSPHORBRONZE
  - △ MATERIAL HOUSING; GLASSFILLED POLYESTER (GRAY) UL-RATING 49VO
  - △ GENERAL PLATING SPECIFICATION: UNDERPLATING (ENTIRE CONTACT): 1,27μm NICKEL MIN. AND ACTION PIN: 0,5μm TIN-LEAD MIN.
  - △ FOR PLATING OF MATING SURFACES SEE APPLICABLE SPECIFICATION REFERENCE FOR EACH DASH NUMBER.
  - △ CONFORMS TO ALL TESTING ACCORDING IEC 61076-4-101 PERFORMANCE LEVEL 2.
  - △ CONFORMS TO ALL TESTING ACCORDING IEC 61076-4-101 PERFORMANCE LEVEL 1.
  - △ CONNECTOR TESTED AND QUALIFIED AGAINST TELCORDIA GR-1217-CORE QUALITY LEVEL III, CENTRAL OFFICE APPLICATIONS.
  - △ CONNECTOR TESTED AND QUALIFIED AGAINST TELCORDIA GR-1217-CORE QUALITY LEVEL III, UNCONTROLLED ENVIRONMENT APPLICATIONS.
  - △ CONNECTOR LUBRICATED WITH TELCORDIA GR-1217-CORE APPROVED LUBRICANT.
  - △ CONNECTOR MARKED WITH PARTNUMBER AND DATECODE.
  - △ THE MARKING CAN APPEAR ON THE FRONT SIDE OR ON THE BACK SIDE.
  - △ PLATED-THROUGH HOLES AT 2x2mm SQUARE GRID, 110 HOLES.
  - △ FITS WITH INTEGRATED GROUND RETURN UPSHIELD, BASIC P.N. 338107 AND INTEGRATED GROUND RETURN LOWERSHIELD, BASIC P.N. 338108
  - △ AREA RESERVED FOR CODING KEY, BASIC P.N. 100526
  - △ CONNECTOR ASSEMBLED WITH ALTERNATE FEMALE CONTACTS.
  - △ 1,27μm MIN GOLD PLATING AT MATING SURFACES, NO LUBRICANT.



SCALE 2,5:1  
 COMPONENT SIDE AS SHOWN  
 RECOMMENDED PCB-HOLE LAY-OUT

P.C.B. HOLE DIM. ACTION PIN  
 FOR DETAILS SEE  
 APPLICATION SPECIFICATION

THIS DRAWING IS A CONTROLLED DOCUMENT.

DW: SANDERS, YAN	10MAY2012	TE Connectivity	Z-PACK 2mm HM TYPE A 110 POS. FEMALE CONNECTOR
CHK: -	-		
APVD: ALEX CAI	10MAY2012	PRODUCT SPEC: 108-19082	APPLICATION SPEC: 114-19029
MATERIAL: -		SIZE: A2	CAGE CODE: 00779
FINISH: -		DRAWING NO: 2170348	RESTRICTED TO: -
CUSTOMER DRAWING		SCALE: NTS	SHEET: 1 of 1